

INTERNATIONAL FORTRESS PAWNSAFE PS-17



Offering Armed Robbery Protection in a six-sided composite TL-30 safe at an affordable price

- Provides formidable time delay defense against armed robbery
- Promotes employee accountability through audit feature
- UL Listed TL-30 six-sided composite safe
- Drawers individually programmed with Time Delay from 3 seconds to 60 minutes
- Contains 17 drawers that store up to approximately 1000 jewelry pawns
- Two-hour manufacturers' rated fire protection
- Electronically controlled access for up to 8 users



International PS-17

Features

The International PS-17 six-sided composite construction incorporates a steel and ceramic matrix on all six sides of the safe. This unified construction achieves the highest degree of burglary protection in its class.

In addition, the safe offers armed robbery protection through advanced time-delay security which prohibits drawers opening all at once.

Time Delay Security

Drawers can be individually programmed to open from 5 seconds to 60 minutes. Only one drawer can be opened at any time.

Capacity

17 uniformly-sized, large capacity steel drawers hold average 60 jewelry pawns each, as many as 1,000 per Pawnsafe.

Boltwork

The massive 1.5" chrome plated bolts are secured with dual Underwriters Laboratories Group 2M combination locks.



Advanced locking mechanism

Users

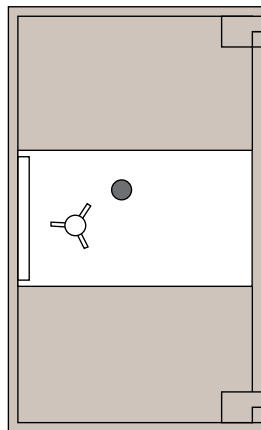
The programmable time-delay system allows electronically controlled access for up to 8 users through private PIN numbers.

Fire Protection

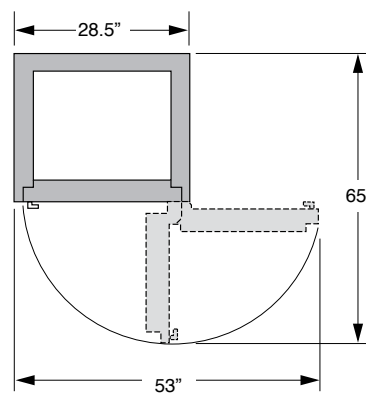
The safe has been factory tested and has achieved a 2-hour fire rating.

Auditing

Records 2,000 events on an advanced digital display. One manager code allows management of user access via 6 digit or 8 digit PIN number.



Door Swing Projections



All specifications are approximate and subject to change without notice.

| International Fortress Pawnsafe At-A-Glance | |
|---|---------------------------|
| Exterior H x W x D (in) | 45.5 x 28.5 x 36.5 |
| Weight (lbs) | 2,496 |
| Drawers (qty) | 17 |
| Drawer H x W x D (in) | 16 @ 6 x 4 x 24 |
| Drawer H x W x D (in) | 1 @ 6 x 8 x 24 |
| Drawer Capacity | Approx. 60 jewelery pawns |
| Electronic Access | 8 users |

(Add 2" to exterior depth for handle and hinge projection.)

Distributed By:



3140 Towerwood Drive

Dallas, Texas 75234

972.243.3711 (Tel)

800.225.2984 (Toll)

972.241.7669 (Fax)

www.rslc.net