

INTERNATIONAL PS-17



Offering premium security in a six-sided composite TL-30 safe at an affordable price

- Contains 17 large-capacity steel drawers
- Program drawers to open individually in intervals from 1 to 99 minutes
- Thwarts robbery attempts by presenting formidable time barrier to obtaining jewelry inventory
- Holds up to 1,000 pawn tickets
- U.L. listed, TL-30 six-sided composite safe
- Two-hour manufacturers' rated fire protection
- Electronically controlled access for up to 8 users
- Convenient electronic audit feature



International PS-17

Specifications

The International PS-17 six-sided composite construction incorporates a steel and ceramic matrix on all six sides of the safe. This unified construction achieves the highest degree of burglary protection in its class.

In addition, the safe offers robbery protection through advanced time-delay security which prohibits drawers opening all at once.

Time Delay Security

Drawers can be individually programmed to open from 1 to 99 minutes. Only one drawer can be opened at a time.

Capacity

17 uniformly-sized, large capacity steel drawers hold average 60 envelopes each, as many as 1,000 per Pawnsafe.

Boltwork

The massive 1.5" chrome plated bolts are secured with dual Underwriters Laboratories Group 2M combination locks.



Advanced locking mechanism

Users

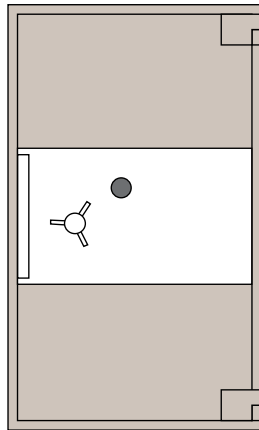
The programmable time-delay system allows electronically controlled access for up to 8 users.

Fire Protection

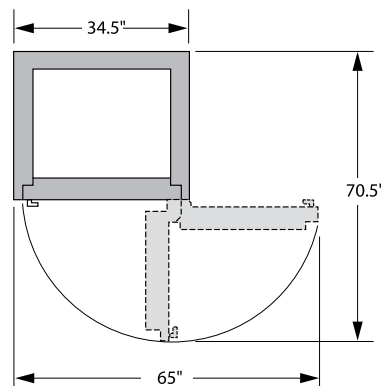
The safe has been factory tested and has achieved a 2-hour fire rating.

Auditing

Records 2,000 events on an advanced digital display. One manager code allows management of user access via 6 digit PIN number. Eight users have ability to open and close drawers through private PIN numbers.



Door Swing Projections



International Fortress Pawnsafe At-A-Glance	
Exterior H x W x D (in)	57.5 x 34.5 x 36.5
Weight (lbs)	3,600
Drawers (qty)	17
Drawer H x W x D (in)	6 x 4 x 24
Drawer Capacity	60 envelopes average
Safe Capacity	approx. 1,000 envelopes max
Electronic Access	8 users

Add 2" to exterior depth for hinge projection. Add 2" to exterior depth for removeable handle projection.



Distributed By:



3140 Towerwood Drive
 Dallas, Texas 75234
 972.243.3711 (Tel)
 800.225.2984 (Toll)
 972.241.7669 (Fax)
 www.rslc.net