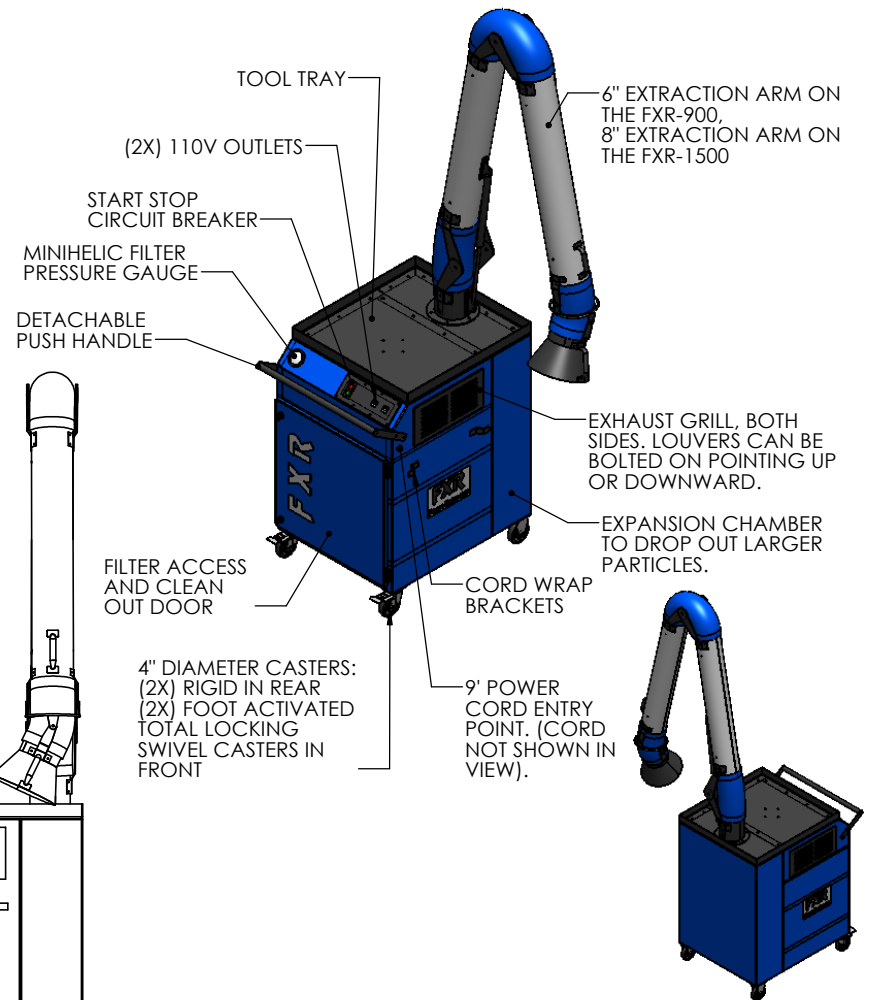
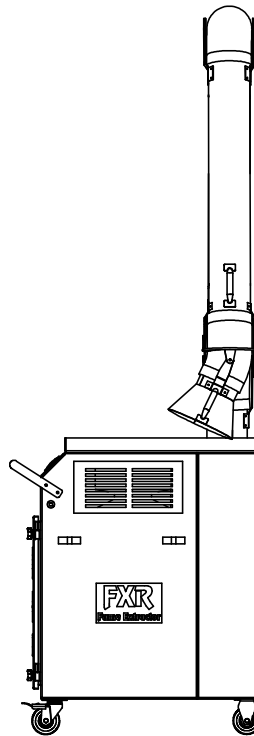
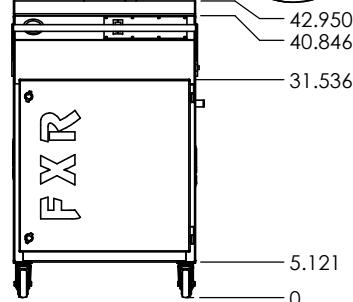
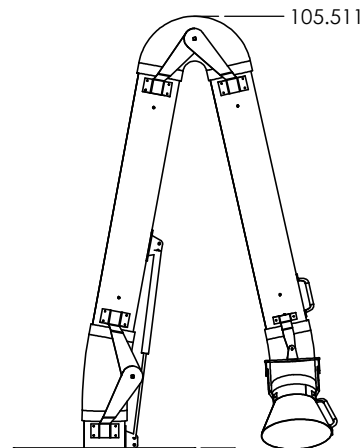
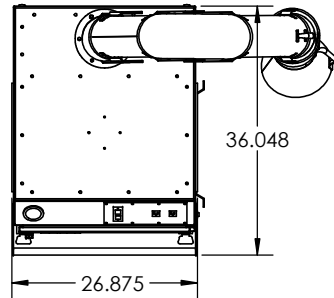


FUME XTRACTOR™	FUME COLLECTOR SPECIFICATIONS
MODEL	FXR-900 / FXR-1500
AIRFLOW (CFM)	900 / 1500
TOTAL SP. (INCHES WG.)	3"
MEASURED FLOW AT HOOD INLET (FPM)	1200 / 1800
SOUND LEVEL (dB.)	73-76
MOTOR RPM	3010 / 3250
MOTOR AMPERAGE	10.2 / 19.4
PRIMARY VOLTAGE	110V/1PH/60HZ. INCLUDES 9FT CORD WITH STANDARD 3-PRONG PLUG
MOTOR CONTROL	CIRCUIT BREAKER-ON/OFF TOGGLE SWITCH
DRY WEIGHT (LBS)	285 / 295
FLANGED INLET ON HOUSING	STD. 6'78" DIA.
EXTRACTION ARM REACH FROM SIDE OF MACHINE STRAIGHT HORIZONTAL	8 FOOT
INTEGRAL FAN	INJECTION MOLDED GRP POLYIMIDE, BACKWARD CURVED AIRFOIL.
FILTER STAGE 1	24X24X1 WIRE MESH SPARK ARRESTOR
FILTER STAGE 2	24X24X2 PRE-FILTER
FILTER STAGE 3	24X24X12 PLEATED V4, MERV 15
FILTER STAGE 4	24X24X2 ODORCLEAN CARBON IMPREGNATED FILTER
CASTERS	(2X) 4" DIAMETER, HEAVY DUTY RIGID CASTERS, (2X) 4" DIAMETER, HEAVY DUTY SWIVEL CASTERS WITH TOTAL LOCK.
HOUSING CONSTRUCTION	16, 14, AND 12 GA. WELDED STEEL
EXTERNAL COATING	DURETHANE DTM BY PPG; URETHANE MASTIC COATING. COLOR: VENT BLUE, VENT BLACK
EXTRACTION ARM	6'78" DIAMETER, RESPECTIVELY, FUME EXTRACTION ARM. TOTAL LENGTH FROM BASE TO TIP OF INTAKE HOOD IS 9.5 FT. INTAKE HOOD IS STEEL WITH EASY TO GRAB POSITIONING HANDLE. NO INTERNAL COMPONENTS TO RESTRICT AIRFLOW. BASE HAS 360 DEG. ROTATION. CUSTOM COLORS AVAILABLE.



*NOTE: THE IMPLEMENTATION OF DUST COLLECTORS AND VENTILATION EQUIPMENT ON AN INDUSTRIAL PROCESS IS APPLICATION SPECIFIC. IT IS THE SOLE RESPONSIBILITY OF THE END USER TO COMPLY WITH LOCAL REGULATIONS FOR THEIR PROCESS INCLUDING ANY INDUSTRY RECOGNIZED STANDARDS. PARTICLE SIZE DISTRIBUTION AND EXPLOSIVITY TESTING OF PROCESS STREAM CONSTITUENTS IS STRONGLY RECOMMENDED FOR ALL APPLICATIONS.

* DIMENSIONS ARE IN INCHES.
 * DO NOT SCALE DRAWING.
 * DUE TO CONTINUOUS IMPROVEMENTS DESIGN MAY VARY.

NAME	DATE	TITLE: FUME XTRACTOR 900, 1500	
DRAWN BY: JWL	3/31/2014		PROPRIETARY AND CONFIDENTIAL THE INFORMATION CONTAINED IN THIS DRAWING IS THE SOLE PROPERTY OF VENTILATION + PLUS EQUIPMENT INC.. ANY REPRODUCTION IN PART OR AS A WHOLE WITHOUT THE WRITTEN PERMISSION OF VENTILATION + PLUS EQUIPMENT INC. IS PROHIBITED.
CHECKED			
ENG APPR.			
MFG APPR.			
Q.A.		SIZE B	DWG. NO. FXR-900,1500
		SCALE: N/A	REV N/A
			SHEET 1