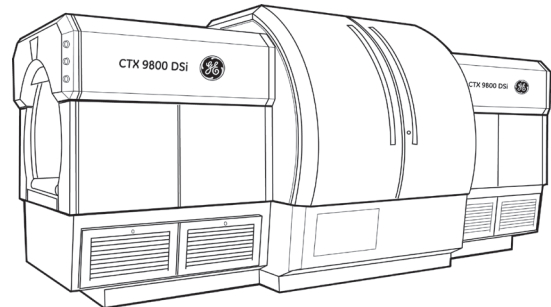


# Technical Specifications

The CTX 9800 DSI™ system:

- TSA-certified
- Multiplexed
- BHS integrated
- Dynamic Screening, changing detection modes via BHS
- Continuous one meter wide conveyor belt and tunnel



## General<sup>1</sup> (includes scanner, input and output modules)

Overall Dimensions (w x h x l)	2413 mm x 2223 mm x 4759 mm (95.0 in. x 87.5 in. x 187.4 in.)
Tunnel Structure	Cylindrical
Tunnel Opening	
max. width at conveyor edge	1000 mm (39.4 in.)
max. height at max. width	400 mm (15.7 in.)
max. height at conveyor ctr.	600 mm (23.6 in.)
max. width at max. height	760 mm (29.9 in.)
Conveyor Height from floor	894 mm (35.2 in.)
Weight (uncrated)	7890 kg (17,400 lbs)
Weight (crated)	9080 kg (20,000 lbs)
Input Power Service scanner	380V 50Hz, 400V 50Hz or 480V 60Hz, 40 Amp, 3 phase Δ + PE
FSE workstation	
Max. Power Rating	25 kVA
Voltage/Frequency Tolerance	±10%/±1%
Supplied Power Cable	5 m (16 ft.), flexible cord with plug
Max. Heat Dissipation	18 kW
Warranty	1 year

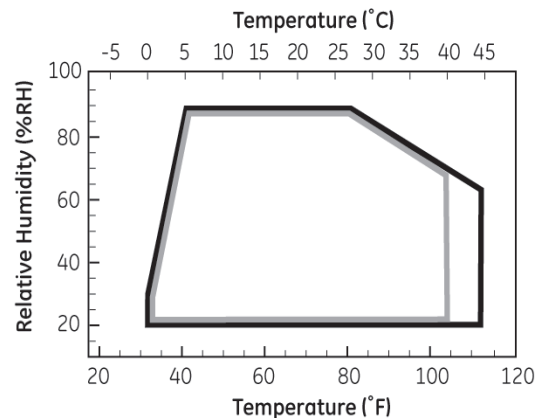
## Image Display and Management<sup>2</sup>

Workstation Monitors (two)	432 mm (17.0 in.)
Image Presentation	3D Volumetric Rendering
CT Resolution	648 x 648
User Interface <sup>3</sup>	Soft keys, mouse, keyboard, and key-switch
Image Storage <sup>4</sup>	48 hours
Color Printer	
DVD-R/CD-RW Drive	
Network Ready	
Input Power	230/110 VAC; 50/60 Hz; 10/20 Amps

## Environment<sup>2</sup> (operating)

System temperature and humidity operating specifications:

■ = 380 VAC Service    ■ = 480 VAC Service



Optimal Operating Temperature    5 to 38°C (40 to 100°F)

## Environment<sup>2,5</sup> (storage)

Shipping Crates	Not waterproof
Storage	Dry/weather-proof location
Temperature	-7 to 49°C (19 to 120°F)
Relative Humidity	10 to 95% noncondensing



## Worldwide Locations

7151 Gateway Boulevard  
Newark, CA 94560 USA  
Tel: +1 510 739 2400  
Fax: +1 510 739 6400  
sales.homelandprotection.us@ge.com

Wilmington, MA USA  
Tel: +1 800 433 5346  
Fax: +1 866 249 9105  
Outside the U.S.: +1 978 658 3767

Washington, DC USA  
Tel: +1 866 430 1913  
Fax: +1 202 637 4232

Cambridge, UK  
Tel: +44 (0) 1223 728888  
Fax: +44 (0) 1223 728889  
sales.homelandprotection.uk@ge.com

Diegem, Belgium  
Tel: +32 (02) 725 11 20  
Fax: +32 (02) 721 40 47

Bangalore, India  
Tel: +91 80 41314615  
Fax: +91 80 28528329

Shanghai, China  
Tel: +86 21 3877 7888  
Fax: +86 21 3877 7502

Gladesville, Australia  
Tel: +61 2 9844 6222  
Fax: +61 2 9844 6983

[www.gesecurity.com](http://www.gesecurity.com)

## Luggage<sup>1</sup>

Max. Cross-sectional Dimensions  
at max. width (w x h x l) Long bag

1000 mm x 400 mm x 1400 mm  
(39.4 in. x 15.7 in. x 56.93 in.)

at max. height (w x h x l)

760 mm x 600 mm x 1400 mm  
(30.0 in. x 23.6 in. x 51.0 in.)

Max. Weight

50 kg (110.0 lbs.)

## Baggage Handling System Interface

Communication Interface  
Discrete Signals  
Emergency Stop  
Bag Tracking  
Bag Status (Decision)  
Machine Status

100 Base T Ethernet direct to BHS PLC

Belt sync. and sensors

24VDC

Two IDs; Unique ID (IATA) and BHS tracking number

Upon request by unique ID

On, Off, Standby, Fault...with Fault Codes

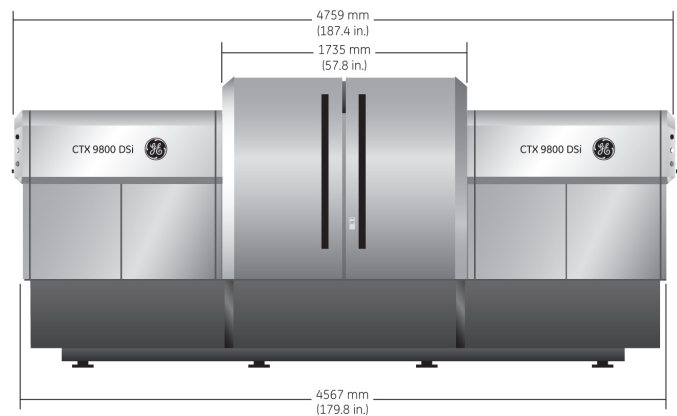
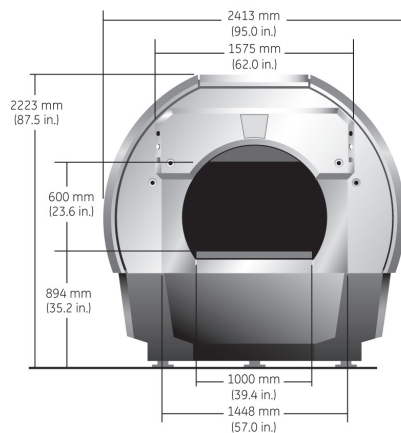
Meets TSA CBIS Interface Requirements

## Safety

- Emergency stops
- Radiation Safety conforms to US Code of Federal Regulations Title 21, Section 1020.40
- X-ray shielded cabinet with safety interlocks

## Optional Features

- Image archiving
- External UPS
- Multiplexing capability
- Operator Workstation
- Secured CTX Operator Workstation
- Extended hours support
- CTX PLC



<sup>1</sup> Values are nominal and dependent on BHS conveyor width.

<sup>2</sup> Some items are optional. Refer to your GE representative for more detailed information regarding the CTX 9800 DSI Site Design and Planning Guide.

<sup>3</sup> Refer to your GE representative for more detailed information regarding Operator User Interface functions.

<sup>4</sup> Optional GE storage product.

<sup>5</sup> Temperatures are dry bulb and humidity is noncondensing.